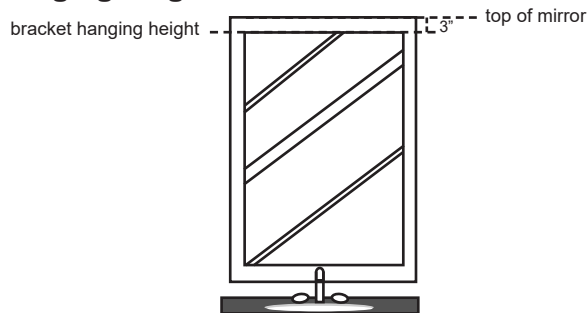
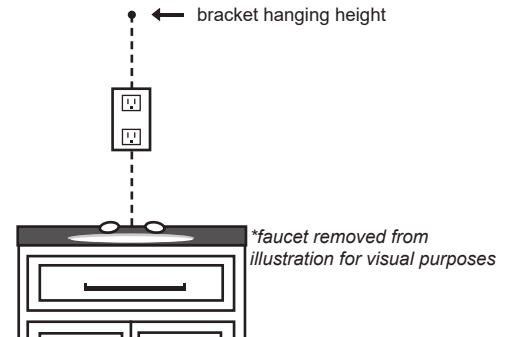




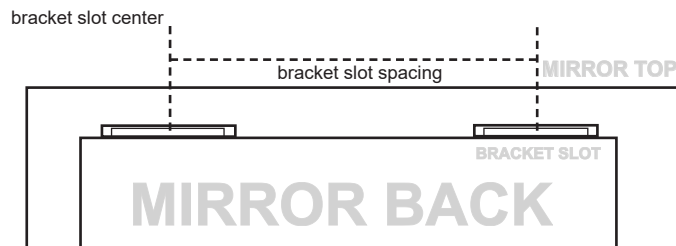
STEP 1: Determine desired height of the top of the mirror on the wall and subtract 3" to get **bracket hanging height**.



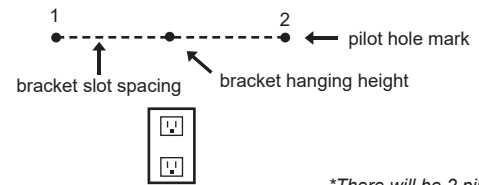
STEP 2: Measure from vanity center to **bracket hanging height** and mark wall.



STEP 3: Measure between center point of bracket slots. This will be the spacing you use for brackets.

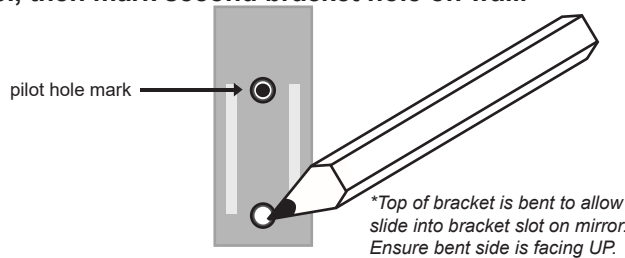


STEP 4: Level and center **bracket slot spacing** on your bracket hanging height orientation mark and make 2 marks for your bracket pilot holes.



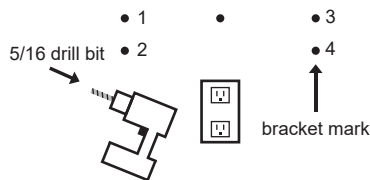
**There will be 2 pilot hole marks total.*

STEP 5: Take provided brackets and line up pilot hole with **pilot hole mark**, ensuring bracket is level, then mark second bracket hole on wall.

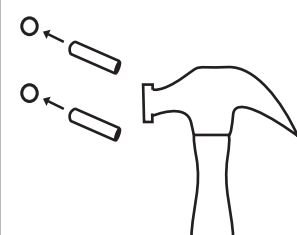


STEP 6 (dry wall install only): If installing in wall other than dry wall, skip to step 7.

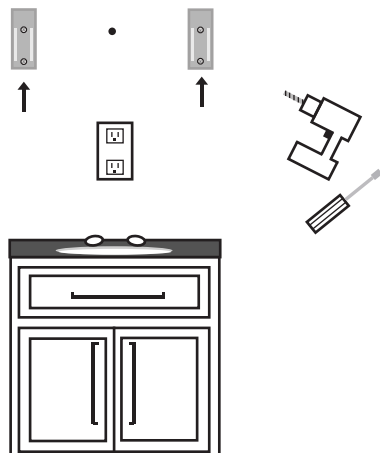
Drill with 5/16 bit on all 4 bracket marks.



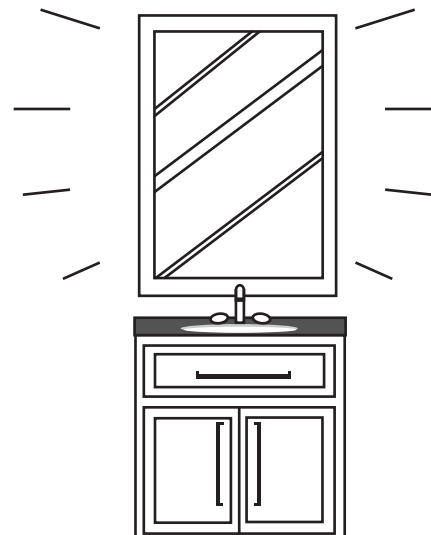
Hammer provided screw anchors into drilled holes.



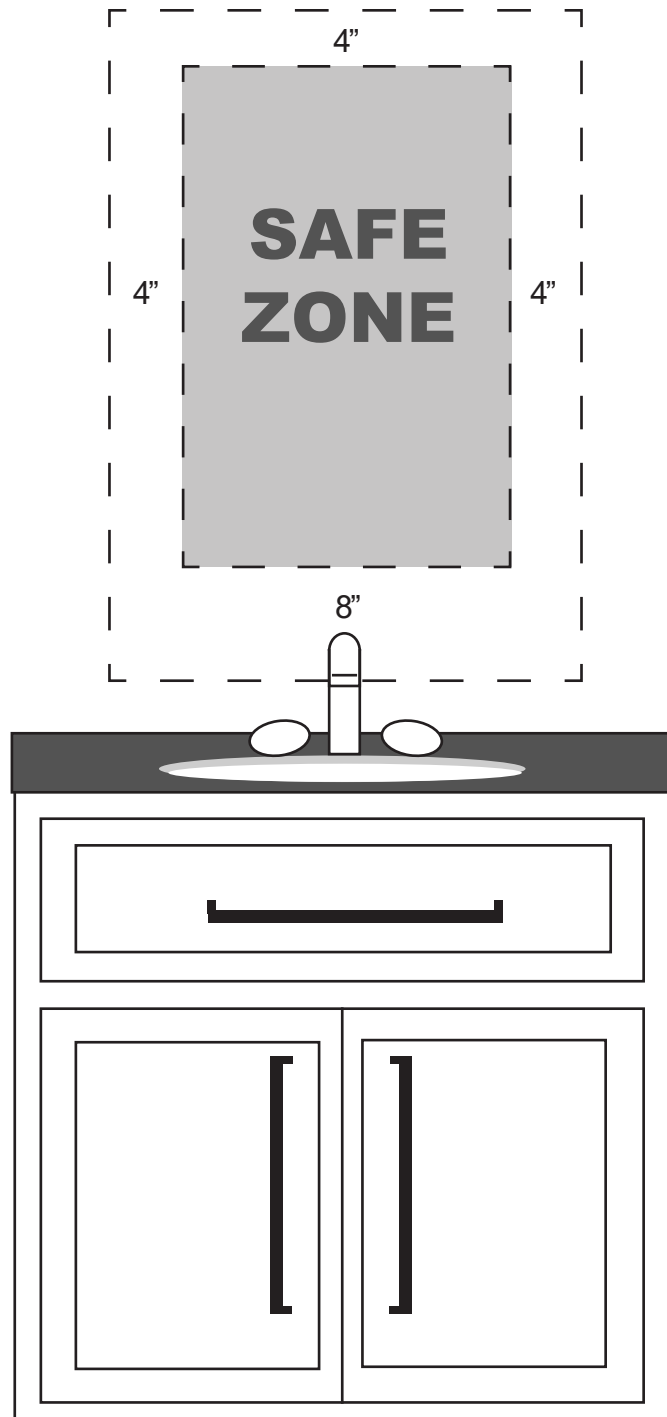
STEP 7: Affix brackets to wall. Ensure bent side of bracket is facing up and that pilot holes are level with bracket hanging height mark.



STEP 8: Plug in LED mirror and hang. Enjoy!



Determine desired placement of mirror on wall and place outlet within the safe zone as close to center of zone as possible.



The safe zone will be within a 4" margin on top, left, and right and an 8" margin on the bottom of the mirror area to allow for any necessary structural adjustments.